



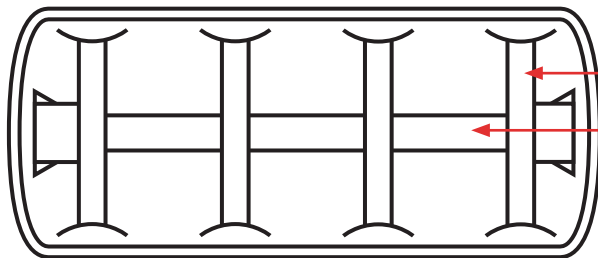
We Build The Best

www.tankswest.com.au

Mounting Instructions for HDC Transport Tanks

The tanks must be securely mounted as per these instructions.
Failure to do so voids the Warranty.

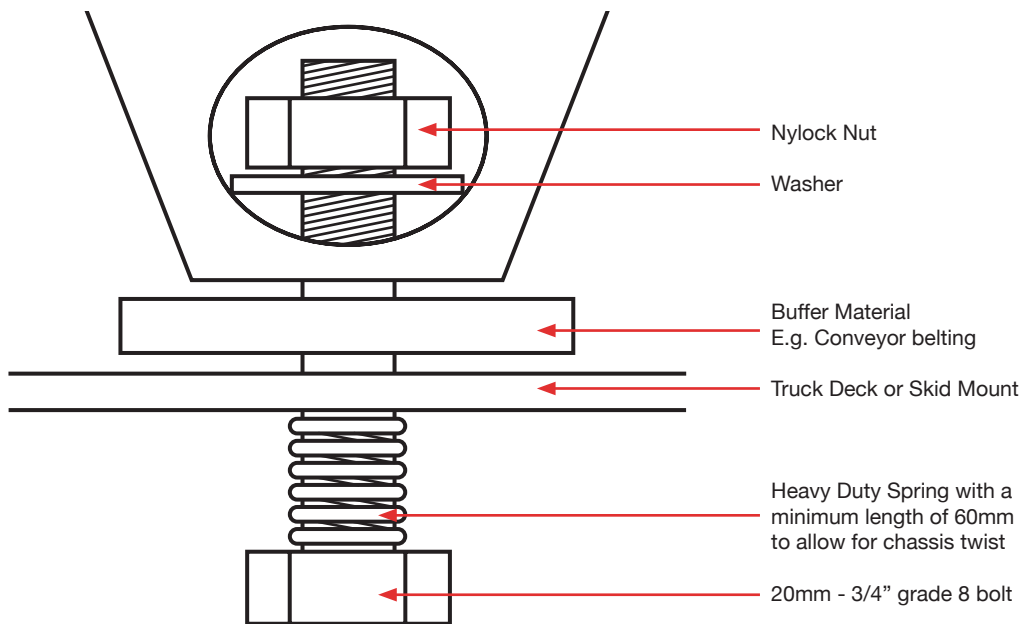
1. Support the tank legs and centre channel along it's complete length an width



A structural member needs to support each;

- 1. Leg
- 2. Centre Channel

2. Bolt the tank legs to the skid or deck



Nylock Nut

Washer

Buffer Material
E.g. Conveyor belting

Truck Deck or Skid Mount

Heavy Duty Spring with a
minimum length of 60mm
to allow for chassis twist

20mm - 3/4" grade 8 bolt